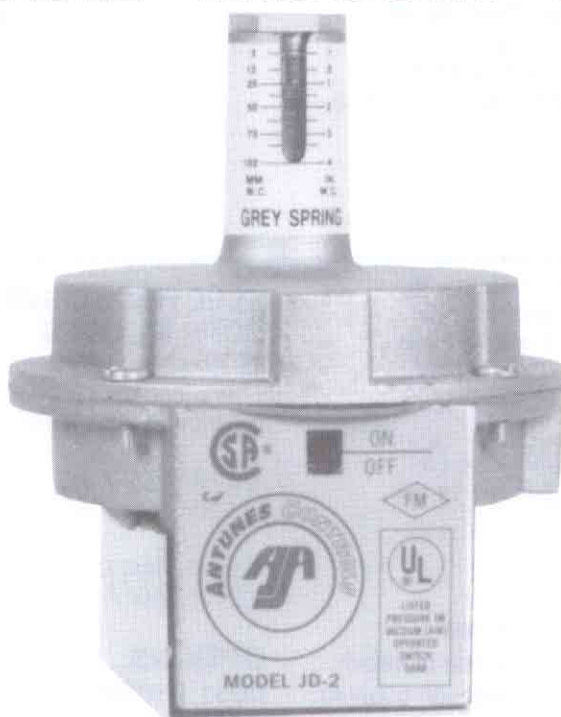


AIR PRESSURE SWITCHES DIFFERENTIAL • VACUUM • PRESSURE



MODEL JD-2

Antunes Controls Provides Dependable, Reliable and Sensitive Air Switches to Meet Your Every Air Proving Requirement.

Antunes Controls air proving switches are designed to provide excellent repeatability and dependable, trouble free operation. Their design incorporates a sensitive diaphragm, single pole double throw snap action electrical switch, visible on-off indicator in a compact die-cast aluminum housing. Spring adjust-

able switches have dual scales calibrated in millimeter and inches of water column mounted in front and easily visible.

Five range scales available from a sensitive .07" W.C. make, to a maximum 35" W.C.

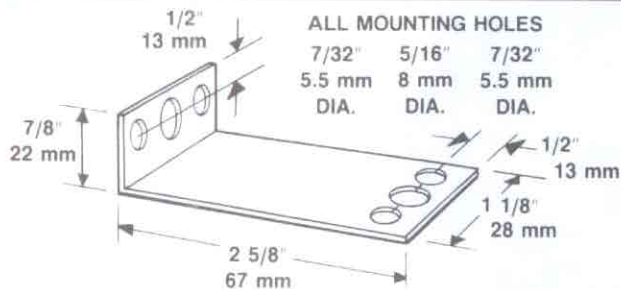
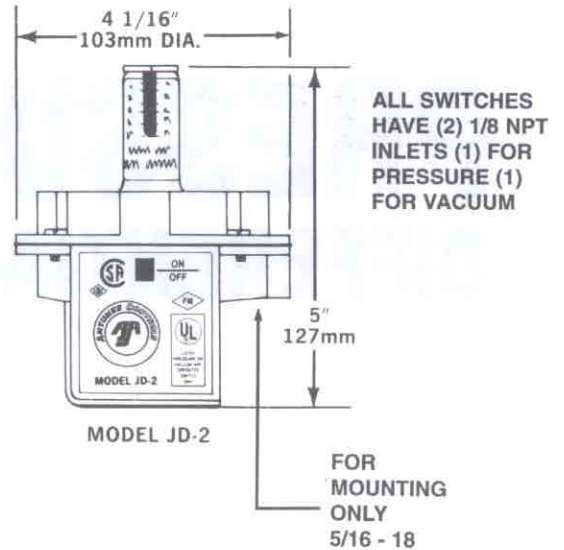
MODELS AVAILABLE
JD-2 For DIFFERENTIAL, VACUUM, or PRESSURE
Applications.

Our versatile and most widely used switch. Adjusting setting, with selection of the four spring range scales as follows:

RANGES:

- BLUE Spring --** Adjustable from .07" W.C. to 1.7" W.C.
(2mm. W.C. to 43mm. W.C.)
- GREY Spring --** Adjustable from 0.1" W.C. to 4" W.C.
(3mm. W.C. to 102mm. W.C.)
- PURPLE Spring --** Adjustable from 0.1" W.C. to 10" W.C.
(3mm. W.C. to 250mm. W.C.)
- RED Spring --** Adjustable from 0.1" W.C. to 24" W.C.
(3mm. W.C. to 600mm. W.C.)
- ORANGE Spring --** Adjustable from 5" W.C. to 35" W.C.
(125mm. W.C. to 875mm. W.C.)

Switches manufactured by Antunes Controls are tested, listed and approved by Underwriters' Laboratories File #MH8009-504, Factory Mutual Serial #18221, Canadian Standards Association File #25144.



MOUNTING BRACKET

A plated steel bracket is available as optional equipment. Bracket fastens to bottom section of switch housing with 5/16 - 18 x 1/2" bolt (supplied with bracket).

ELECTRICAL RATINGS
BOTH MODELS

- 10 Amps at 125 Volts
- 5 Amps at 250 Volts
- 1/8 HP 125 V AC
- 1/4 HP 250 V AC
- 125 VA Pilot Duty at 125 or 250 V AC
- Maximum Pressure Surge 3 P.S.I.
- Maximum Ambient operating temperature: 140° F/60° C
- Minimum Ambient operating temperature: -40° F/-40° C

OPTIONS:

- DUST PROOF:** Specify "Dust Proof" on order.
- BRACKETS:** Specify 2 5/8" bracket.

LIMITATION OF LIABILITY. It is understood and agreed that seller's liability whether in contract, in tort, under any warranty, in negligence or otherwise shall not exceed the return of the amount of the purchase price paid by purchaser and under no circumstances shall seller be liable for special,

indirect or consequential damages. The price stated for the equipment is a consideration in limiting seller's liability. No action, regardless of form, arising out of the transactions may be brought by purchaser more than one year after the cause of action has accrued.

To order Antunes Controls air switch within the adjustable setting, Model JD-2, select and designate one of the four spring scales listed above.

ANTUNES CONTROLS

DIVISION OF A.J. ANTUNES & CO.

180 KEHOE BLVD., P.O. BOX 87700, CAROL STREAM, IL 60188 • PHONE 630-784-1000 • 1-800-253-2991 • FAX 630-784-1651
www.antunescontrols.com