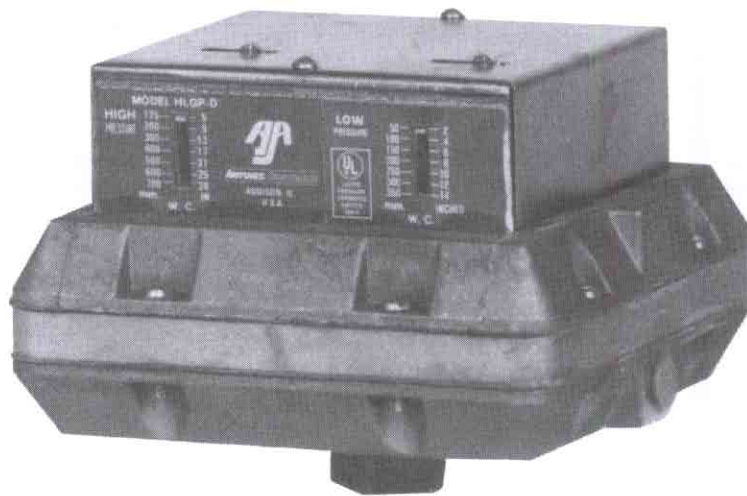
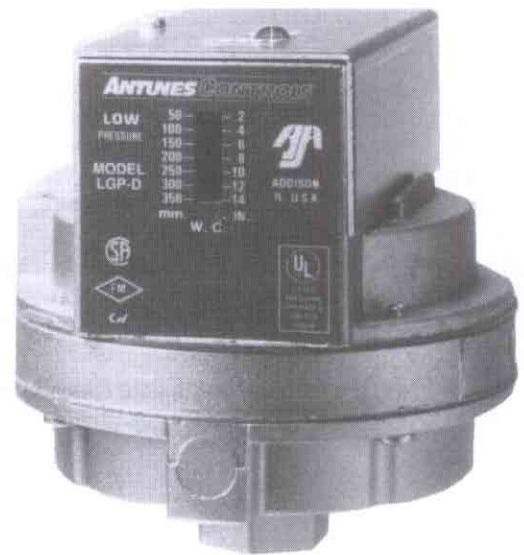


GAS PRESSURE SWITCHES MODEL-D SERIES



High Low Gas Pressure Switch



Single Gas Pressure Switch

TWO CIRCUIT CONTROL CAPABILITY

Antunes Controls High-Low and single gas pressure switches monitor gas pressure and cuts off the electrical control circuit when pressure drops below or rises above the desired preset point. The high and low gas pressure settings are adjustable and all models are available in reset or recycle type.

All gas pressure switches manufactured by Antunes Controls are tested, listed and approved by Underwriters' Laboratories File #MH 8009-504H.

Factory Mutual Serial #19797, Canadian Standards Association File 25144.

ELECTRICAL RATINGS

4A @ 125 VAC

3A @ 250-277 VAC

1/8 HP @ 125 VAC; 1/4 HP @ 250 VAC

125 VA Pilot Duty, 125/250 VAC

GDB 1020803D22

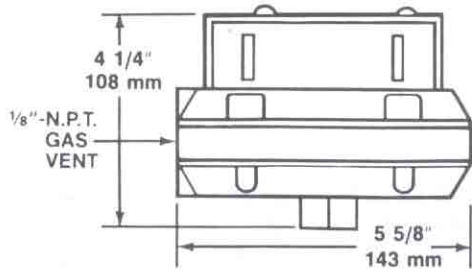
ALL MODELS

Max. surge pressure 10 P.S.I. Max. ambient temperature 140° F
60° C. Min. Ambient temperature -40° F/-40° C.

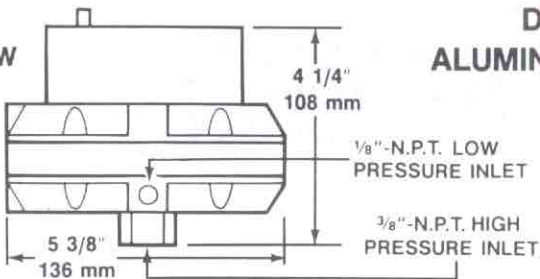
HIGH LOW GAS PRESSURE SWITCH

SINGLE GAS PRESSURE SWITCH

FRONT VIEW



SIDE VIEW



**ANTUNES CONTROLS
GAS PRESSURE
SWITCHES HAVE A
COMPACT CONSTRUCTION,
AND ARE SEALED
INTO A RUGGED
DIE CAST
ALUMINUM HOUSING.**

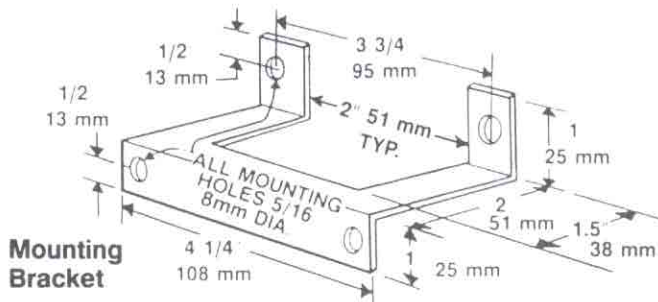
MODELS AVAILABLE: The Double Switch may be ordered with any combination of High or Low Pressure Ranges. Order by model letters and range.

SELECT the range to meet your requirements. You need to decide on both High and Low range and whether reset or recycle types.

MOUNTING is horizontal, stem down, but does not need accurate leveling. Mounting is normally accomplished by utilizing the base inlet pipe, but a bracket is available for panel mounting.

MODEL NUMBERS

HLGP-D = High-Low Gas Switch with Reset Lever
RHLGP-D = High-Low Gas Switch Recycle Type

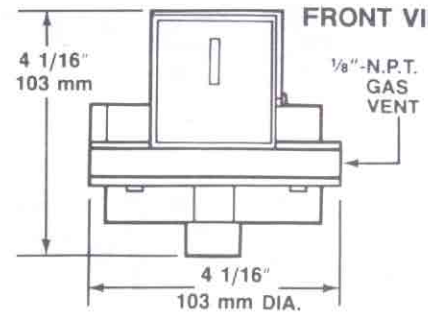


Mounting Bracket

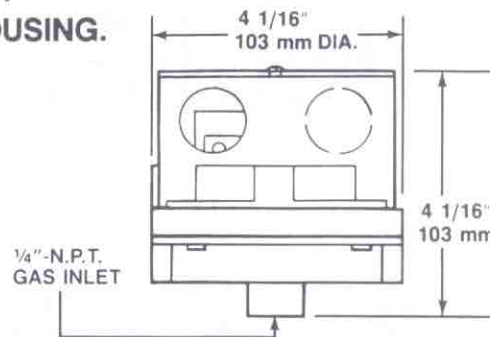
Ranges Available (All Models)

HIGH GAS PRESSURE		LOW GAS PRESSURE	
W.C.	mm.	W.C.	mm.
5"-28"	W.C.-125-700	2"-14"	W.C. 50-350
10"-50"	W.C.-250-1250	10"-50"	W.C.-250-1250

FRONT VIEW



SIDE VIEW



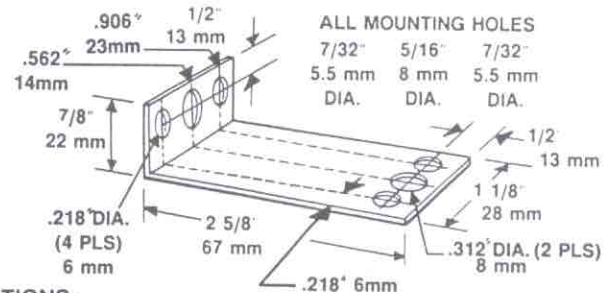
Models Available: HGP high gas pressure LGP low gas pressure switches are Reset type which must be manually reset to operate after the electrical circuit has been broken.

RHGP and RLGP operate in the same manner but will recycle automatically when gas pressure is brought back to proper level.

Select the range either High or Low gas pressure and whether you need a Reset or Recycle model to meet your requirements.

Mounting is horizontal stem down, but does not need accurate leveling. Mount directly to 1/4" N.P.T. gas inlet. Panel mounting order optional mounting bracket.

MODEL NUMBERS	Reset LGP-D Single Unit Low Pressure HGP-D Single Unit High Pressure	Recycle RLGP-D RHGP-D
---------------	--	-----------------------------



OPTIONS:

PANEL MOUNT Specify "Mounting Bracket" on order.

DUST PROOF:

Specify "Dust Proof" on order (available on recycle type only.)

LIMITATION OF LIABILITY. It is understood and agreed that seller's liability whether in contract, in tort, under any warranty, in negligence or otherwise shall not exceed the return of the amount of the purchase price paid by purchaser and under no circumstances shall seller be liable for

special, indirect or consequential damages. The price stated for the equipment is a consideration in limiting seller's liability. No action, regardless of form, arising out of the transactions may be brought by purchaser more than one year after the cause of action has accrued.

ANTUNES CONTROLS

DIVISION OF A.J. ANTUNES & CO.

180 KEHOE BLVD., P.O. BOX 87700, CAROL STREAM, IL 60188 • PHONE 630-784-1000 • 1-800-253-2991 • FAX 630-784-1651
www.antunescontrols.com

TEMPERATURE CONTROLLERS • TEMPERATURE DISPLAYS • AIR PRESSURE SWITCHES • GAS SWITCHES • CUSTOM ELECTRONIC CONTROLS
• SUBSYSTEMS ENGINEERING AND MANUFACTURING • TIMERS