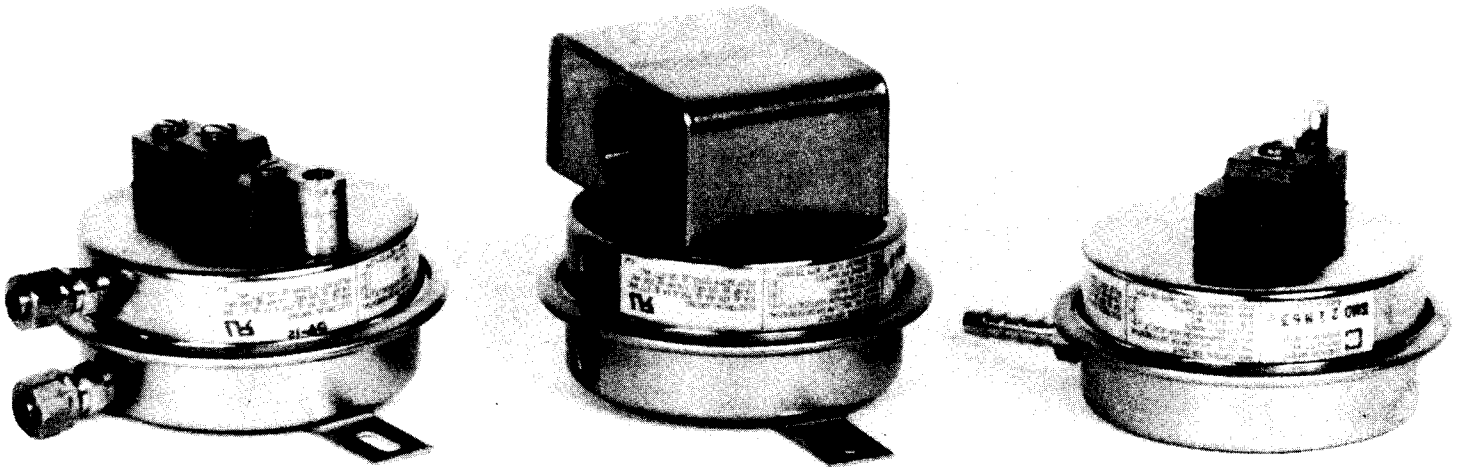


AA ANTUNES CONTROLS

DIVISION OF A.J. ANTUNES & CO.



MODEL-SMD

AIR PRESSURE SWITCHES DIFFERENTIAL · VACUUM · PRESSURE

FEATURES: ■ COMPACT ■ ACCURATE ■ EASY TO INSTALL ■ ADJUSTABLE
■ SENSITIVE ■ DEPENDABLE ■ COST EFFECTIVE PRICING!

Assure Reliability and Efficiency with Accurate Check Air Flow

Antunes Controls is one of the leading manufacturers of pressure control switches. Our new sheet metal air differential switches are compact, sensitive, and reliable with trouble free operation. Their design is based on the same principles of reliability, repeatability, and accuracy that has

made Antunes Controls existing line of pressure switches so successful. Their construction incorporates a sensitive diaphragm and a snap action electrical switch. The switch is available with adjustable settings of .17" W.C. to 1.0" W.C., .17" W.C. to 6.0" W.C. and .17" W.C. to 12.0" W.C.

SPECIFICATIONS:

ELECTRICAL RATING:

10A @ 125, 8A @ 250, 7A @ 277 VAC.
 1/8 HP @ 125 VAC, 1/4 HP @ 250 VAC.
 Pilot Duty 125VA @ 125/277 VAC.

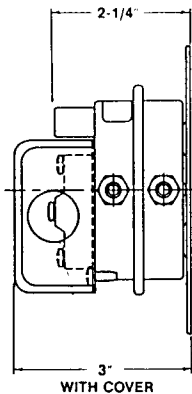
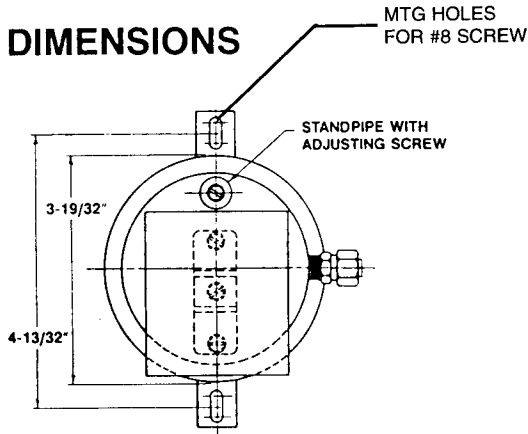
SWITCH DIFFERENTIAL AT 70° F.

DIFFERENTIAL OPERATING PRESSURE RANGE

.015" to .03" W.C.	.17" - 1" W.C.
0.5" W.C.	.17" - 6" W.C.
1.0" W.C.	.17" - 12" W.C.

Consult factory for custom switches.

DIMENSIONS



ALL MODELS:

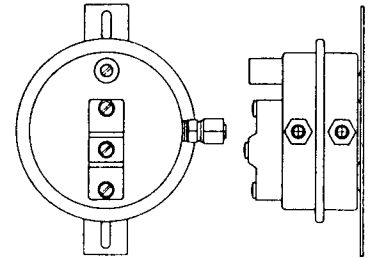
Max. Surge Pressure 20" W.C.
 Max. Ambient Temperature 170°F
 Min. Ambient Temperature - 40°F

OPTIONAL (Fittings)

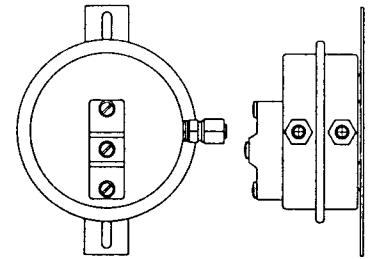
1/4" Barb
 1/4" Tube
 1/4" Compression

LOCATION OF INLETS

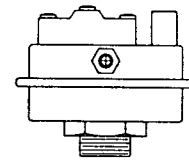
Adjustable
 Differential
 Model Shown
 With Side Inlets



Non-Adjustable
 Differential
 Model Shown
 With Side Inlets



Adjustable
 Differential
 Model Shown
 With One Side Inlet
 and Machine Thread
 Adapter with Nut,
 Specify
 1/2"-14 NPSH or



NOTE:

Standard mounting bracket is shown.
 For other mounting arrangements contact factory.

LIMITATION OF LIABILITY. It is understood and agreed that seller's liability whether in contract, in tort, under any warranty, in negligence or otherwise shall not exceed the return of the amount of the purchase price paid by purchaser and under no circumstances shall seller be liable for special,

indirect or consequential damages. The price stated for the equipment is a consideration in limiting seller's liability. No action, regardless of form, arising out of the transactions may be brought by purchaser more than one year after the cause of action has accrued.

AA ANTUNES CONTROLS

DIVISION OF A.J. ANTUNES & CO.

180 KEHOE BLVD., P.O. BOX 87700, CAROL STREAM, IL 60188 • PHONE 630-784-1000 • 1-800-253-2991 • FAX 630-784-1651
 www.antunescontrols.com