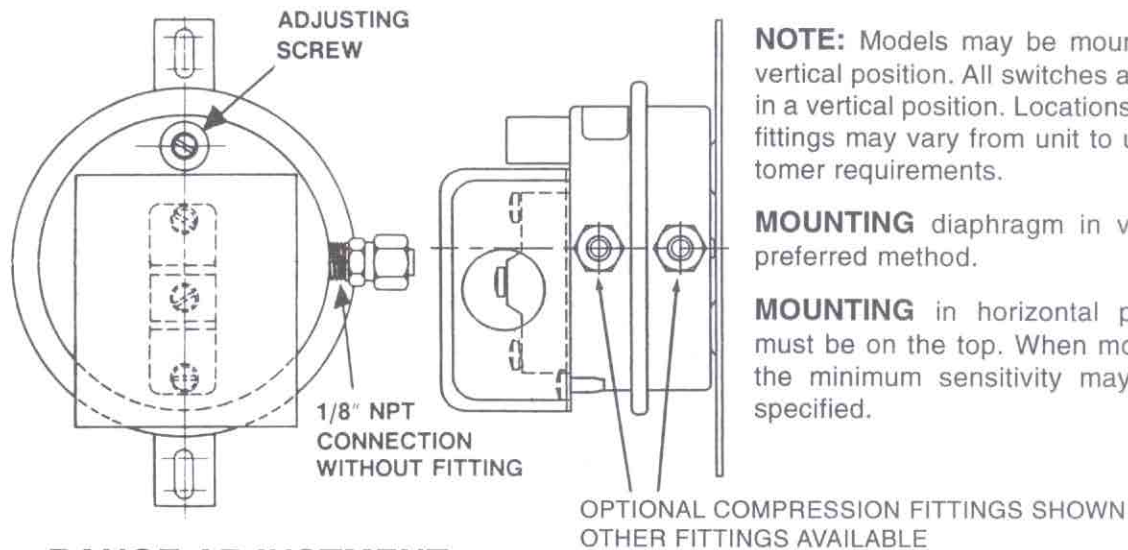


AIR FLOW INTERLOCKING SWITCHES INSTALLATION INFORMATION (MODEL SMD)

You are installing one of the finest switches of its type on the market. You will find this switch has many superior features that insure dependable, accurate long life operation. This switch is highly sensitive and fully approved. It is UL and CSA listed.

Please read this folder carefully to assure correct installation. This equipment must be installed only by a licensed electrician who is experienced with combustion safeguard control systems and understands the functions of an interlocking switch such

as air pressure switches. Prior to being put into operation in conjunction with the combustion safe guard systems, all switches should be tested for proper range setting and proper wiring. Check piping connections and switch housing for leaks with a soap bubble test. All exhaust fans and blowers should be inspected and checked for proper rotation prior to starting up. If you have any problems or questions, phone, wire, or write to the manufacturer, Antunes Controls.



RANGE ADJUSTMENT

All settings are made with the diaphragm in a vertical position. The switch is shipped with the adjustment at minimum (.17" W.C.). To adjust, turn adjusting screw with screwdriver.

To increase pressure setting, turn adjustment screw down in a clockwise direction. To decrease pressure setting, turn adjusting screw up, in a counterclockwise direction.

SPECIFICATIONS

ELECTRICAL

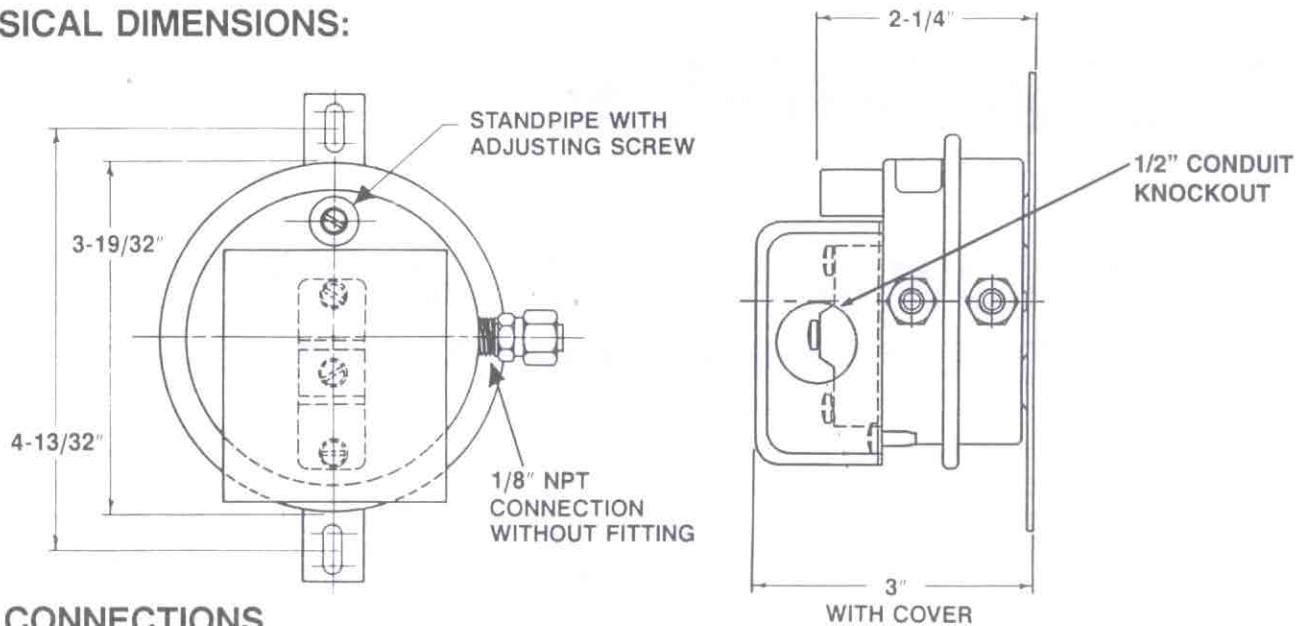
10A @ 125, 8A @ 250, 7A @ 277 Vac
(Resistive)

1/8 HP @ 125 Vac, 1/4 HP @ 250 Vac
Pilot Duty 125 VA @ 125/277 Vac

ALL MODELS

Maximum surge pressure, 36" W.C.
Maximum ambient temperature 170°F
Minimum ambient temperature -40°F

PHYSICAL DIMENSIONS:



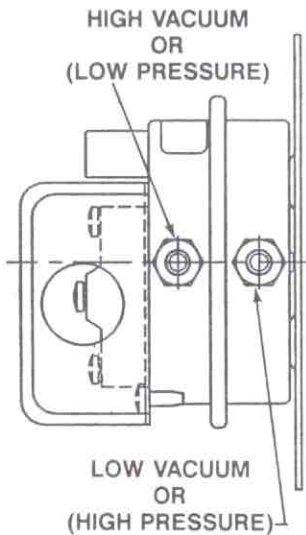
AIR CONNECTIONS

TUBING: Recommended as minimums: 1/4" copper or aluminum tubing; 1/8" pipe. All tubing and pipe must be clean and free from oil, dirt, and chips. If piping runs over five feet long, use larger size tubing or pipe, and reduce size at switch connection.

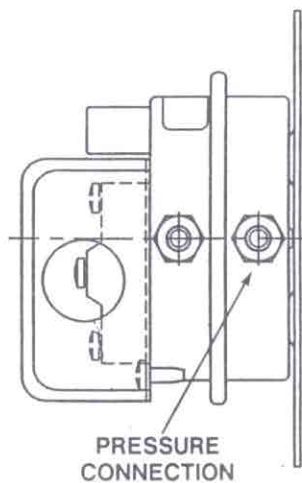
AIR SUPPLY: Should be connected as shown in drawings.

SWITCH DIFFERENTIAL AT 70° F.	
DIFFERENTIAL	OPERATING PRESSURE
.015" to .03" W.C.	.17" W.C.
0.5" W.C.	6" W.C.
1.0" W.C.	12" W.C.

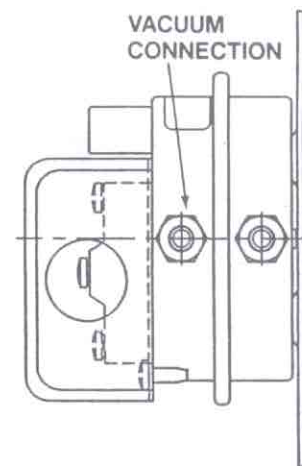
DIFFERENTIAL



PRESSURE ONLY



VACUUM ONLY



LIMITATION OF LIABILITY. It is understood and agreed that seller's liability whether in contract, in tort, under any warranty, in negligence or otherwise shall not exceed the return of the amount of the purchase price paid by purchaser and under no circumstances shall seller be liable for special, indirect or

consequential damages. The price stated for the equipment is a consideration in limiting seller's liability. No action, regardless of form, arising out of the transactions may be brought by purchaser more than one year after the cause of action has accrued.

ANTUNES CONTROLS

DIVISION OF A.J. ANTUNES & CO.

180 KEHOE BLVD. • CAROL STREAM, IL 60188 USA • 1-800-253-2991
www.antunescontrols.com

TEMPERATURE CONTROLLERS • TEMPERATURE DISPLAYS • AIR PRESSURE SWITCHES • GAS SWITCHES • CUSTOM ELECTRONIC CONTROLS •

SMDI 1010802016

SUBSYSTEMS ENGINEERING AND MANUFACTURING • TIMERS

PRINTED IN U.S.A. 0200