

MODEL - SMG

GAS PRESSURE SWITCHES

FEATURES:

- COMPACT ■ ACCURATE ■ EASY TO INSTALL ■ ADJUSTABLE
- SENSITIVE ■ DEPENDABLE ■ COST EFFECTIVE PRICING!

Assure Reliability and Efficiency with Accurate Check of Gas Pressure

Antunes Controls is one of the leading manufacturers of pressure control switches. Our new sheet metal gas pressure switches are compact, sensitive, and reliable with trouble free operation. Their design is based on the same principles of reliability, repeatability, and

accuracy that has made Antunes Controls existing line of pressure switches so successful. Their construction incorporates a sensitive diaphragm and a snap action electrical switch. The switch is available with adjustable settings of .5" W.C. to 12" W.C.

SWITCH DIFFERENTIAL AT 70°F.

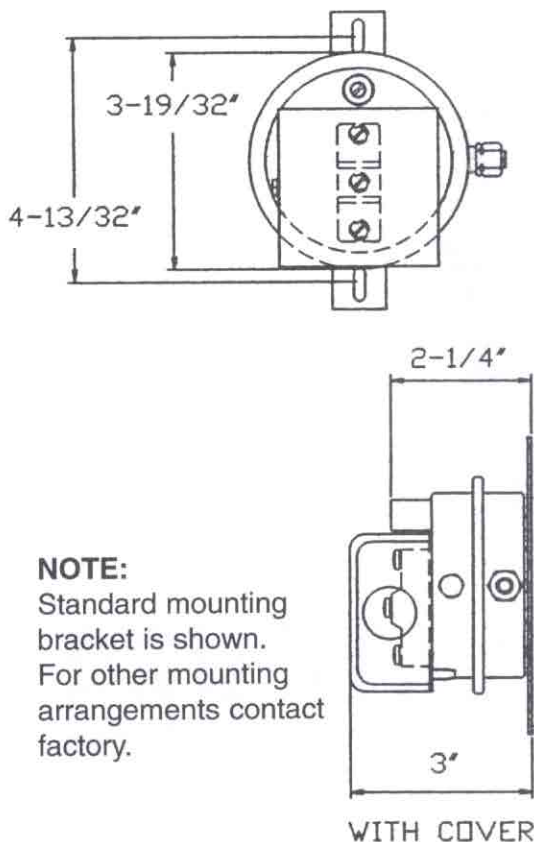
ELECTRICAL RATING:

10A @ 125, 8A @ 250, 7A @ 277 VAC
1/8 HP @ 125 VAC, 1/4 HP @ 250 VAC
Pilot Duty 125 VA @ 125/277 VAC

DIFFERENTIAL	OPERATING PRESSURE
0.5" W.C.	6" W.C.
1.0" W.C.	12" W.C.

Consult factory for custom switches

DIMENSIONS:



ALL MODELS:

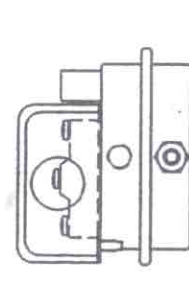
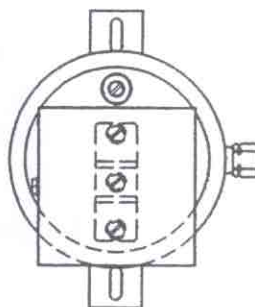
Max. Surge Pressure 20" W.C.
Max. Ambient Temperature 170°F
Min. Ambient Temperature - 40°F

OPTIONAL (Fittings)

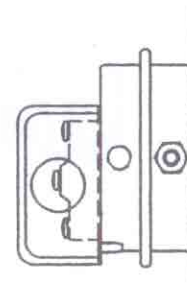
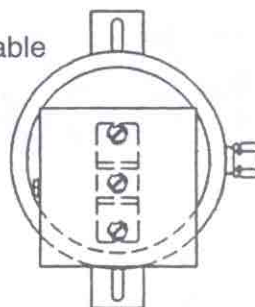
1/4" Barb
1/4" Tube
1/4" Compression

LOCATION OF INLETS

Adjustable
Differential
Side Inlets



Non-Adjustable
Differential
Side Inlets



LIMITATION OF LIABILITY. It is understood and agreed that seller's liability whether in contract, in tort, under any warranty, in negligence or otherwise shall not exceed the return of the amount of the purchase price paid by purchaser and under no circumstances shall seller be liable for

liable for special, indirect or consequential damages. The price stated for the equipment is a consideration in limiting seller's liability. No action, regardless of form, arising out of the transactions may be brought by purchaser more than one year after the cause of action has accrued.

AA ANTUNES CONTROLS

DIVISION OF A.J. ANTUNES & CO.

180 KEHOE BLVD., P.O. BOX 87700, CAROL STREAM, IL 60188 • PHONE 630-784-1000 • 1-800-253-2991 • FAX 630-784-1651
www.antunescontrols.com