

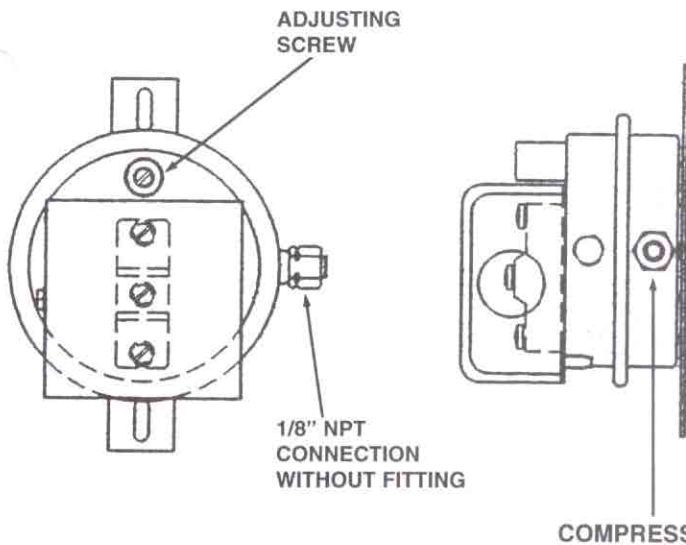
GAS PRESSURE SWITCHES

INSTALLATION INFORMATION (MODEL SMG)

You are installing one of the finest switches of its type on the market. You will find this switch has many superior features that insure dependable, accurate long life operation. This switch is highly sensitive and fully approved. It is C-UL listed.

Please read this folder carefully to assure correct installation. This equipment must be installed only by a licensed electrician who is experienced with combustion safeguard control systems and understands the functions of an interlocking switch such

as gas pressure switches. Prior to being put into operation in conjunction with the combustion safe guard systems, all switches should be tested for proper range setting and proper wiring. Check piping connections and switch housing for leaks with a soap bubble test. All exhaust fans and blowers should be inspected and checked for proper rotation prior to starting up. If you have any problems or questions, phone, fax, or write to the manufacturer, Antunes Controls.



NOTE: Models may be mounted in a horizontal or vertical position. All switches are tested at the factory in a vertical position. Locations of fittings and types of fittings may vary from unit to unit.

MOUNTING diaphragm in vertical position is the preferred method.

MOUNTING in horizontal position, micro switch must be on top. When mounted in this position, the minimum sensitivity may be higher than that specified.

RANGE ADJUSTMENT

All settings are made with the diaphragm in a vertical position. The switch is shipped with the adjustment at minimum (.5" W.C.).

To adjust, turn adjusting screw with screwdriver. To increase pressure setting, turn adjustment screw down in a clockwise direction. To decrease pres-

sure setting, turn adjusting screw up, in a counter-clockwise direction.

If adjusting screw is removed, apply a non-hardening pipe compound to the threads before replacing. Check for leaks with a soap bubble test using maximum 36" W.C.

SPECIFICATIONS

ELECTRICAL

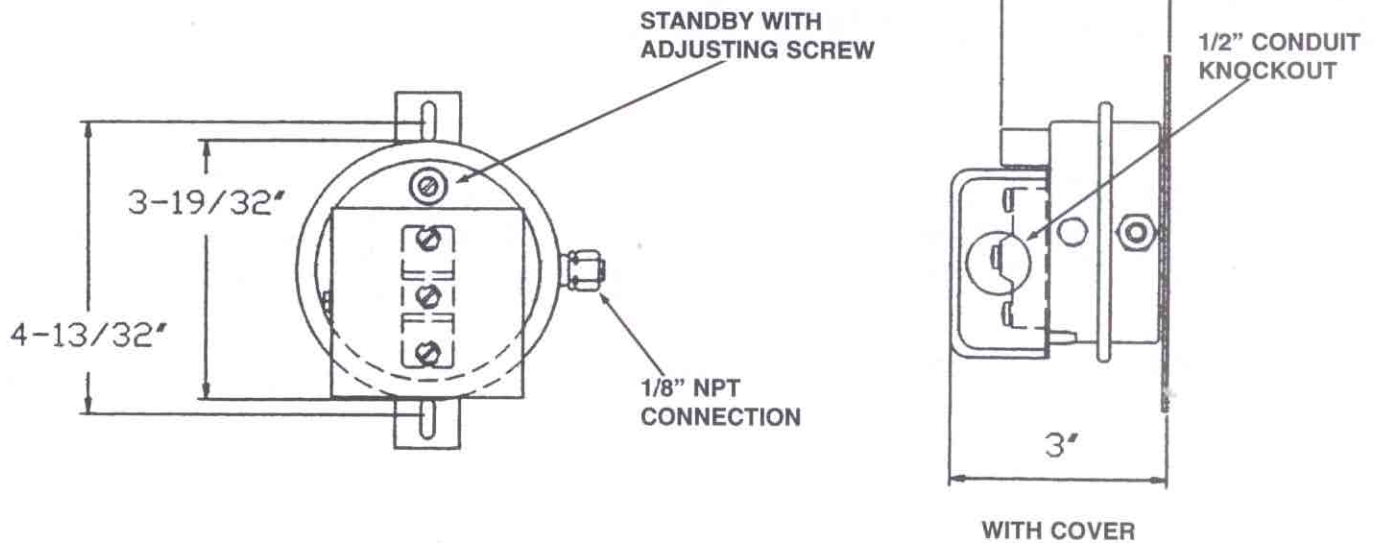
10A @ 125, 8A @ 250, 7A @ 277 Vac
1/8 HP @ 125 Vac, 1/4 HP @ 250 Vac
Pilot Duty 125 VA @ 125/277 Vac

SMGI 1010852020

ALL MODELS

Maximum surge pressure, 36" W.C.
Maximum ambient temperature 170°F
Minimum ambient temperature - 40°F

PHYSICAL DIMENSIONS:



GAS CONNECTION

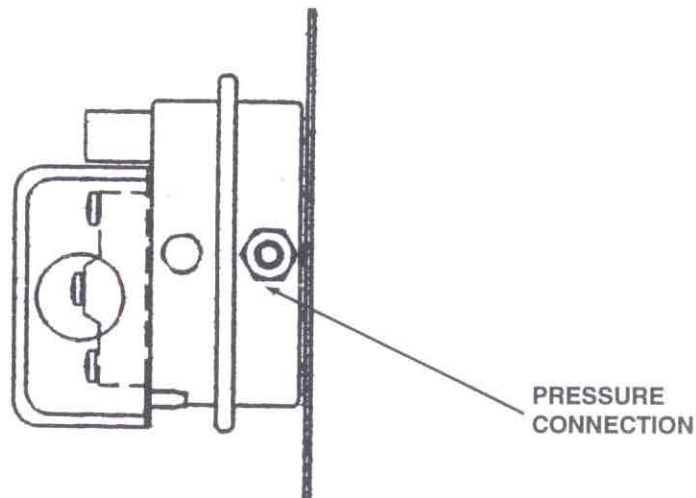
TUBING: Recommended as minimums: 1/4" copper or aluminum tubing; 1/8" pipe. All tubing and pipe must be clean and free from oil, dirt, and chips. If piping runs over five feet long, use larger size tubing or pipe, and reduce size at switch connection.

GAS SUPPLY: Should be connected as shown in drawings.

SWITCH DIFFERENTIAL AT 70°F.

DIFFERENTIAL	OPERATING PRESSURE
0.5" W.C.	6" W.C.
1.0" W.C.	12" W.C.

PRESSURE ONLY



LIMITATION OF LIABILITY. It is understood and agreed that seller's liability whether in contract, in tort, under any warranty, in negligence or otherwise shall not exceed the return of the amount of the purchase price paid by purchaser and under no circumstances shall seller be liable for

special, indirect or consequential damages. The price stated for the equipment is a consideration in limiting seller's liability. No action, regardless of form, arising out of the transactions may be brought by purchaser more than one year after the cause of action has accrued.

AA ANTUNES CONTROLS

DIVISION OF A.J. ANTUNES & CO.

180 KEHOE BLVD., P.O. BOX 87700, CAROL STREAM, IL 60188 • PHONE 630-784-1000 • 1-800-253-2991 • FAX 630-784-1651

www.antunescontrols.com