

# AA ANTUNES CONTROLS

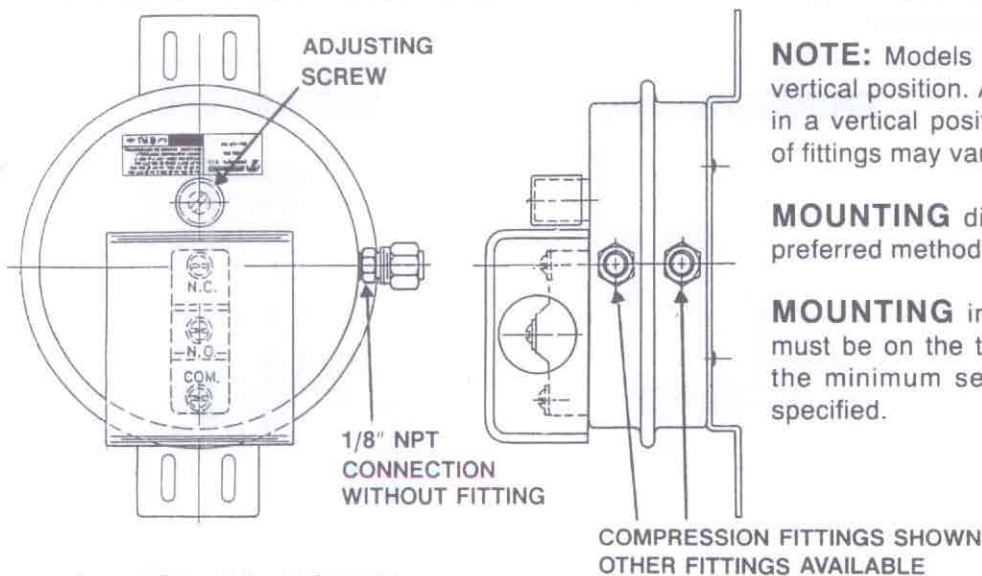
DIVISION OF A.J. ANTUNES & CO.

## AIR FLOW INTERLOCKING SWITCHES INSTALLATION INFORMATION (MODEL SML)

You are installing one of the finest switches of its type on the market. You will find this switch has many superior features that insure dependable, accurate long life operation. This switch is highly sensitive and fully approved. It is UL and CSA listed, and has FM approval.

Please read this folder carefully to assure correct installation. This equipment must be installed only by a licensed electrician who is experienced with combustion safeguard control systems and under-

stands the functions of an interlocking switch such as air pressure switches. Prior to being put into operation in conjunction with the combustion safe guard systems, all switches should be tested for proper range setting and proper wiring. Check piping connections and switch housing for leaks with a soap bubble test. All exhaust fans and blowers should be inspected and checked for proper rotation prior to starting up. If you have any problems or questions, phone, wire, or write to the manufacturer, Antunes Controls.



**NOTE:** Models may be mounted in a horizontal or vertical position. All switches are tested at the factory in a vertical position. Locations of fittings and types of fittings may vary from unit to unit.

**MOUNTING** diaphragm in vertical position is the preferred method.

**MOUNTING** in horizontal position, micro switch must be on the top. When mounted in this position, the minimum sensitivity may be higher than that specified.

### RANGE ADJUSTMENT

All settings are made with the diaphragm in a vertical position. The switch is shipped with the adjustment at minimum (.05" W.C.)

To adjust, turn adjusting screw with screwdriver. To increase pressure setting, turn adjustment screw down in a clockwise direction. To decrease pressure

setting, turn adjusting screw up, in a counterclockwise direction.

If adjusting screw is removed, apply a non-hardening pipe compound to the threads before replacing. Check for leaks with a soap bubble test using maximum 30" W.C.

### SPECIFICATIONS

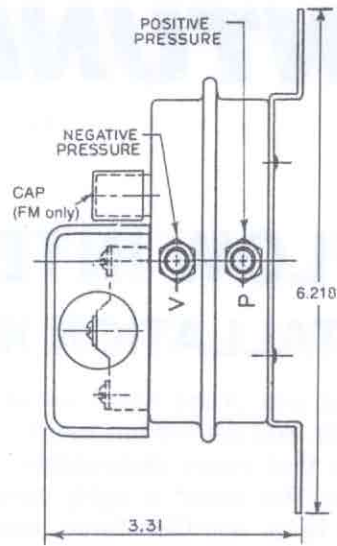
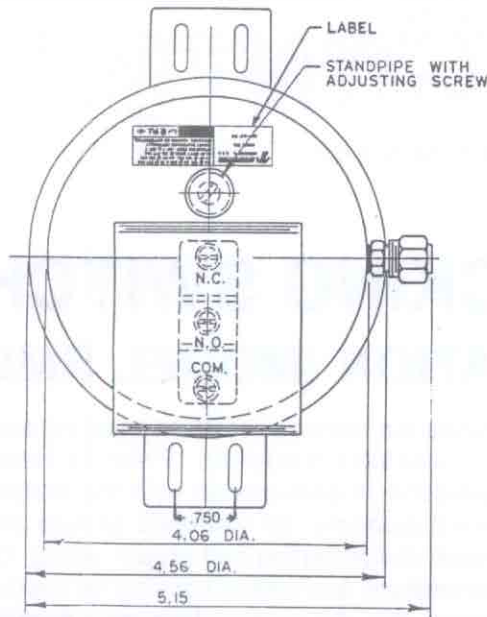
#### ELECTRICAL

10A @ 125, 8A @ 250, 7A @ 277 Vac  
1/8 HP @ 125 Vac, 1/4 HP @ 250 Vac  
Pilot Duty 125 VA @ 125/277 Vac

#### ALL MODELS

Maximum surge pressure, 30" W.C.  
Maximum ambient temperature 170°F  
Minimum ambient temperature -40°F

# PHYSICAL DIMENSIONS:

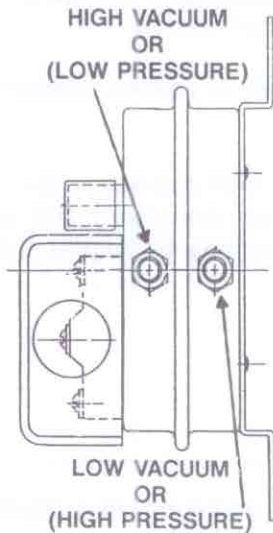


## AIR CONNECTIONS

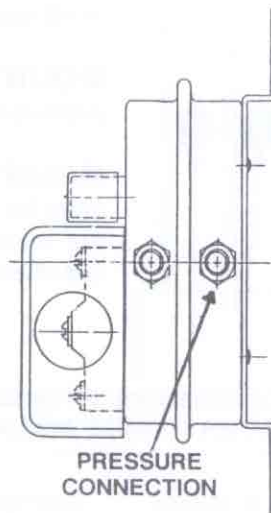
**TUBING:** Recommended as minimums: 1/4" copper or aluminum tubing; 1/8" pipe. All tubing and pipe must be clean and free from oil, dirt, and chips. If piping runs over five feet long, use larger size tubing or pipe, and reduce size at switch connection.

**AIR SUPPLY:** Should be connected as shown in drawings.

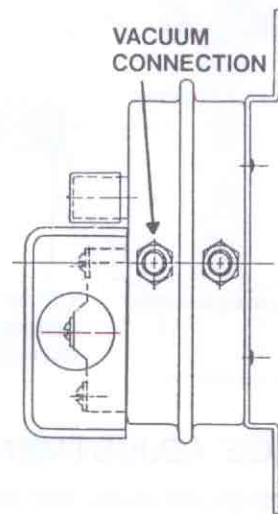
### DIFFERENTIAL



### PRESSURE ONLY



### VACUUM ONLY



**LIMITATION OF LIABILITY.** It is understood and agreed that seller's liability whether in contract, in tort, under any warranty, in negligence or otherwise shall not exceed the return of the amount of the purchase price paid by purchaser and under no circumstances shall seller be liable for special, indirect or

consequential damages. The price stated for the equipment is a consideration in limiting seller's liability. No action, regardless of form, arising out of the transactions may be brought by purchaser more than one year after the cause of action has occurred.

# ANTUNES CONTROLS

DIVISION OF A.J. ANTUNES & CO.

180 KEHOE BLVD., P.O. BOX 87700, CAROL STREAM, IL 60188 • PHONE 630-784-1000 • 1-800-253-2991 • FAX 630-784-1651  
www.antunescontrols.com