

## TEMPERATURE CONTROLLER WITH DIGITAL DISPLAY MODEL-TTC



### FEATURES

- Thermocouple Input (Type J or K)
- 1% FS  $\pm$  1 LSD Accuracy
- Shock & Vibration Resistance
- Easy to Install
- Watertight Case
- Competitive Pricing
- On/Off Control
- 10A Relay Output
- 0.56" LED 3 Digit Digital Display
- Ambient Temperature Compensated
- Screw Terminal Connections
- F and C Scaling
- Hysteresis 1 to 2° Typical, Can Be Factory Preset to 10°.

Antunes Controls' Series TTC is a compact, solid state temperature controller with digital display. Unit displays temperatures from +50°F to 940°F (+10°C to 530°C).

The series TTC uses either a type J or K thermocouple. The thermocouple sends a signal to an integrated circuit which is converted to a digital signal and displayed on a 3 digit LED display. The numerals are 1/2" high and 1/4" wide which makes the display easy to read from a distance. The entire unit is epoxy encapsulated making it watertight and very resistive to

shock and vibration. It has a "push-to-set" button on the left to set or change the set point. The set point is changed using the potentiometer on the right side of the unit.

The unit is powered by 12Vac or DC. Transformers are available for 24Vac, 115V or 230Vac applications.

The unit fits into 2.82" x 1.13" cut-out for easy installation. Display zero and span adjustments are on the back of the unit.

## SPECIFICATIONS

**SENSOR:** Thermocouple (Type J or K)

**NOTE:** Ungrounded thermocouples are required when multiple controllers / indicators are used or if the transformer is grounded.

**ACCURACY:** 1% Full Scale  $\pm$  1 LSD

**AMBIENT OPERATING**

**TEMPERATURE:** -30°F to 140°F  
(-35°C to 60°C)

**AMBIENT STORAGE**

**TEMPERATURE:** -40°F to 180°F  
(-40°C to 82°C)

**POWER:** 12 Vac/DC (24Vac, 115 Vac, 230 Vac with external transformer)

**PACKAGE:** Panel Mount Epoxy Encapsulated

**OUTPUT:** 10A Relay, Standard (Resistive Load) or 12-16 VDC @ 30 mA

**CONTROL:** On/Off.

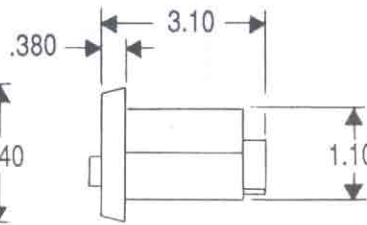
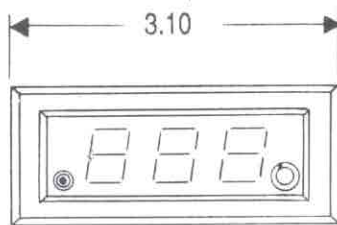
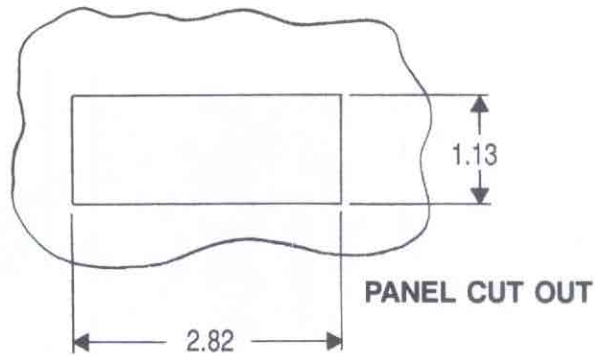
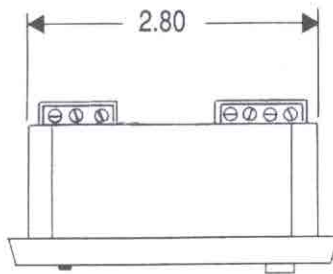
**DISPLAY:** 3 Digit LED (0.56" High)

**CONNECTIONS:** Terminal - Strip (Clamping Action)

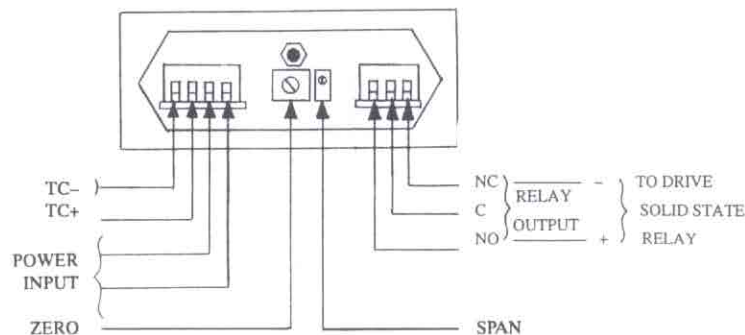
**HYSTERESIS:** Typically 1-2° unless ordered otherwise

**TEMPERATURE RANGE:** 50° - 940°F  
(10° - 530°C)

## DIMENSIONS IN INCHES



## WIRING DIAGRAM



# ANTUNES CONTROLS

DIVISION OF A.J. ANTUNES & CO.

180 KEHOE BLVD., P.O. BOX 87700, CAROL STREAM, IL 60188 • PHONE 630-784-1000 • 1-800-253-2991 • FAX 630-784-1651

www.antunescontrols.com

TEMPERATURE CONTROLLERS • TEMPERATURE DISPLAYS • AIR PRESSURE SWITCHES • GAS SWITCHES • CUSTOM ELECTRONIC CONTROLS

TTCB 1020805025

• SUBSYSTEMS ENGINEERING AND MANUFACTURING • TIMERS

PRINTED IN U.S.A.

0300